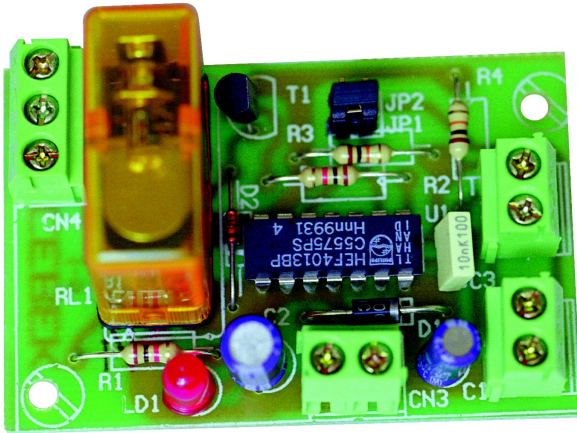




ELECTRONIC FLIP-FLOP I-9



CHARACTERISTICS TECHNICAL

Voltage	12 VDC.
Minimum Consumption	10 mA.
Medium Consumption	60 mA.
Maximum Temperature	60 ° C
Maximum Output Load By Relay	5 A.
Impulses Input	Square power frequency free
Protection Against Polarity Inversion	Yes.
Operating Led	Yes.

From each impulses, the I-9 module will alternatively connect or disconnect the output starting and stopping. The module could be use with a single push button to start and to stop as well as with two (2) push buttons; one to start and one to stop.

It has a relay output allowing to connect any loads and protection against polarity inversion.

Do not forget to read all the information sheet in order to obtain a perfect operating of the module.

OPERATING

POWER SUPPLY. The I-9 circuit had to be supplied by a 12 VDC power supply.

Then, we recommended you the FE-2 power supply which has been developed to perfectly answer to the circuit needs. Connect the positive of the power supply to the positive terminal indicated in the wiring map, then connect also the negative of the power supply to the negative terminal indicated in the circuit. **Verify** that the assembly has been correctly done.

OPERATING. The I-9 module alternatively connect and disconnect the output according to each received impulse. This operation could be made with a single push button and then each pressure will activate both actions (one by one) start and stop; or made with two (2) push buttons using one to start and the other one to stop. When the module will be in operating mode, the operating led will light.

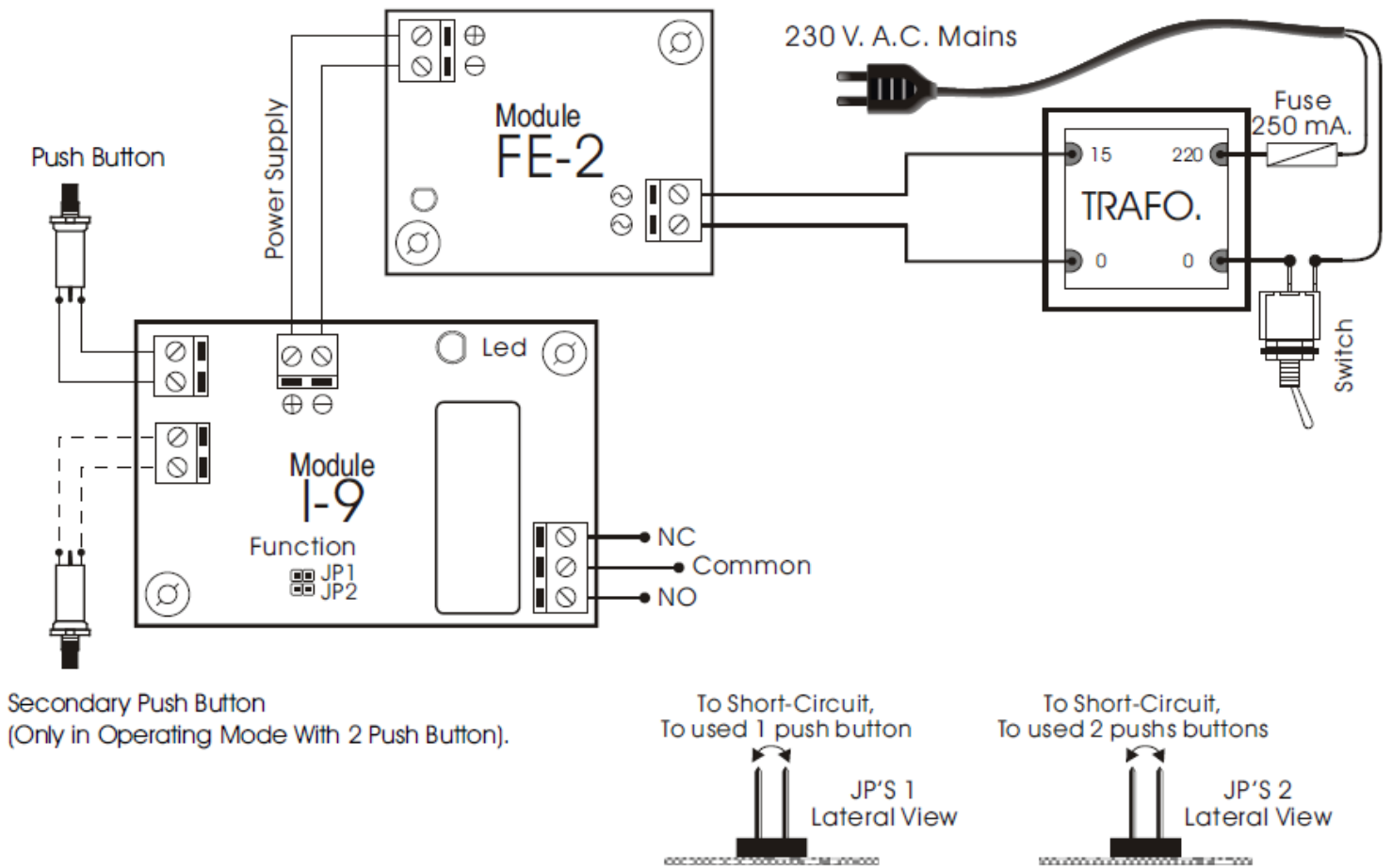
OPERATING MODE. As we have explained you previously, the module could be used with one or two push buttons. To select between both operating mode, you have to determinate which piece or jumper will be connected or short-circuited (see the general wiring map). If you maintain connected the JP1 jumper, the circuit will operate with a single push button. Nevertheless, if you need to use two push buttons (one for each operation) you have to short-circuit or close the JP2 jumper. Do never close or open both jumper (JP1 & JP2) at the same time.

When you have selected the operating mode, connect the wished push button(s). Use quality push button to obtain a correct module operating and the distance between terminals and module had to be inferior than 30 cm (use shielded cable for your connection).

OUTPUT. CONNEXION OF THE LOAD. The I-9 output is by relay allowing to use any load inferior at 5A. As maximum consumption. The relay has 3 output terminals the normally open at quiescent (NA), the normally closed at quiescent (NC) and the common. The operating of this mechanism is the same as a switch with two (2) terminals NA and common, if you wish that the output will be activated when the detector do not receive light, or between the NC and the common to obtain the reverse operating. In the Output connection paragraph, you could appreciate the typical connection for a devices operating at 12 VDC and to operate at 220 VAC.

The installation is between the Common and NA, where the device or load that you wish to control will be activated during the operating time.

GENERAL WIRING MAP.



Secondary Push Button
(Only in Operating Mode With 2 Push Button).

OUTPUT. LOAD CONNECTION

