

6 dig. 12V ELECTROMECHANICAL TOTALIZATOR C-8409

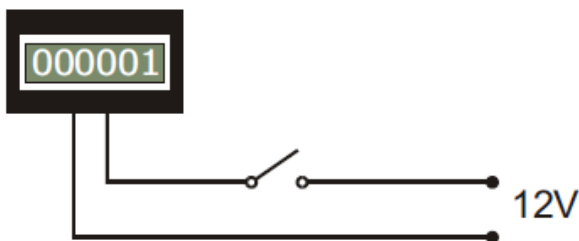
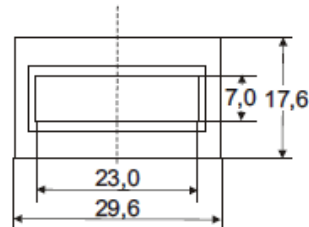
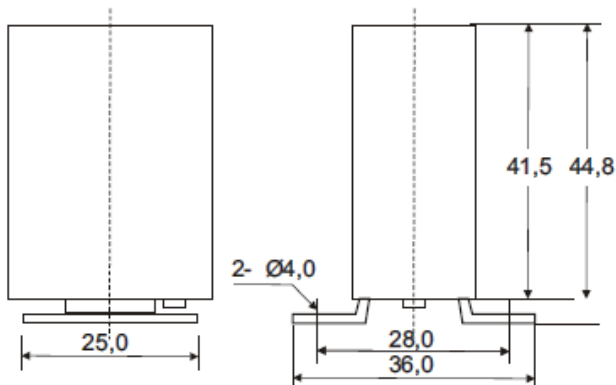


TECHNICAL CHARACTERISTICS

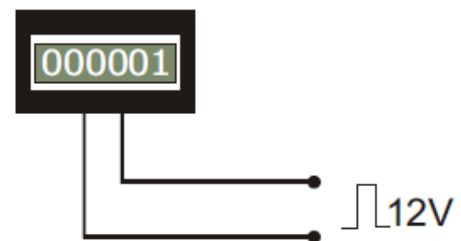
Function.....	Totalizator
Count up capacity.....	999999 (6 digits)
Power Supply	12Vdc
Tolerance	-15%~+10%
Consumption.....	3,5W
Maximum Speed	18 cps
Life	60.000.000 cycles
Dielectric Test	1500V ac (1 minute)
Connection	2 cables of 25cm

Electromechanical totalizer with high count up capacity. It can totalize up to 1 million events (999.999). Specially recommended for industrial applications, on the amusement arcade, vending and maintenance fields. Its installation is fast and simple.

DIMENSIONS AND WIRING



To activate through push button , end of run, etc.



To activate through 12V impulses