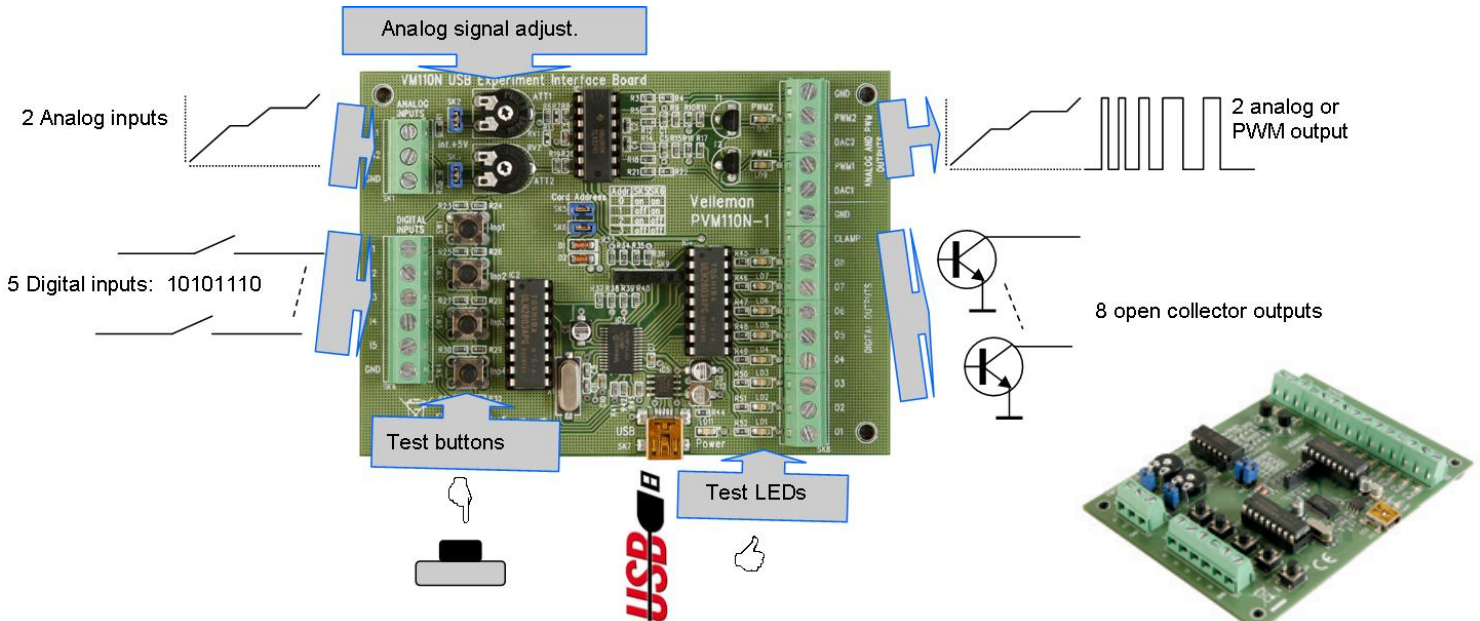




# USB INTERFACE CARD

Component: VM110N



The VM110N interface board has 5 digital input channels and 8 digital output channels. In addition, there are two analogue inputs and two analogue outputs with 8 bit resolution. The number of inputs/outputs can be further expanded by connecting more (up to a maximum of four) cards to the PC's USB connectors. All communication routines are contained in a Dynamic Link Library (DLL) K8055.DLL. You may write custom Windows (2000, XP, Vista, Windows 7) applications in Delphi, Visual Basic, C++ Builder or any other 32-bit Windows application development tool that supports calls to a DLL. Source code for Visual Basic, Visual C++, Visual C#, Excel, Delphi and Borland C++ Builder included.

### Features

- minimum system:
  - Pentium class CPU
  - USB1.1 or higher connection
  - Windows 2000 or higher
  - CD ROM player and mouse
- DIAGNOSTIC / TEST SOFTWARE:
  - separate output / input test
  - clear all / set all function
  - counter function on inputs 1 and 2 with adjustable debounce (max 2KHz depends on total I/O load)
  - analogue output set sliders
  - analogue input bar-graph indication
- 100% compatible with: VM110 & K8055 cards

### Specifications

- 5 digital inputs (0= ground, 1= open) (on-board test buttons provided)
- 2 analogue inputs with attenuation and amplification option (internal test +5V provided)
- 8 digital open collector output switches (max 50V/100mA) (on-board LED indication)
- 2 analogue outputs:
  - 0 to 5V, output resistance 1K5
  - PWM 0 to 100% open collector outputs max 100mA / 40V (on-board LED indication)
- general conversion time: 2ms per command
- power supply: through USB approx. 70mA
- dimensions: 145 x 88 x 20mm (5.7" x 3.5" x 0.8")

