

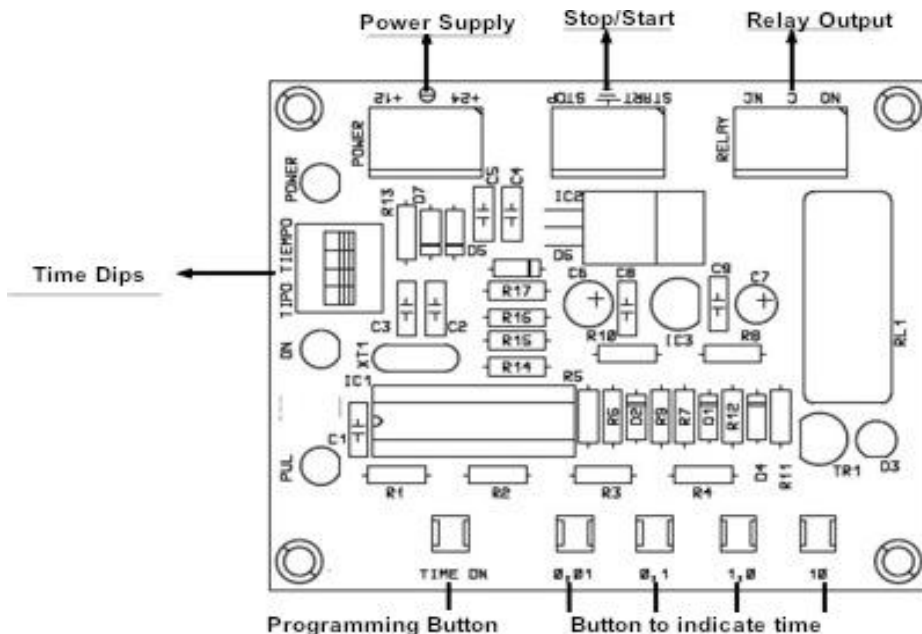


TECHNICAL CHARACTERISTICS

Voltage	12-24 V DC.
Maximum consumption	65 my
Output Relay/Maximum load	230 V 3A max
Minimum time	0.1 seconds
Maximum time	11,930 minutes (497 Days)
Net weight	59 g.
Dimensions	87 X 72x 26 mm
Recommended power supply.....	FE-103
DIN RAIL (option)	C-7566

It offers 14 operating modes.
It has an adjustable time scale between 0.1 sec and 11930 hours

- POWER Led lighted on when the timer is supplied
- D3 Led when the relay is activated
- PUL Led when keys of time are pressed during the programming.
- ONE Led during the timing programming.
- TEMPO TYPE Dips to select the required timer model.
- TIME ONE Push button to go on/go out of the time programming mode.
- 0.1 /10/1/100 sec Push buttons, to introduce the operating time.
- START button input allowing to start the timer (according to models)
- RESET button input allowing to the timer anytime.
- RELAY output with Open/closed free voltage contacts.



TIMERS TYPES

	DIPS	SW1	SW2	SW3	SW4	FUNCTIONS	Equival.
1		OFF	OFF	OFF	OFF	Monostable / Push button	I-1 / I-2 / I-3
2		ON	OFF	OFF	OFF	Monostable / Voltage	I-1 / I-2 / I-3
3		OFF	ON	OFF	OFF	Monostable / Pause / Push button	
4		ON	ON	OFF	OFF	Monostable / Reset / Push button	
5		OFF	OFF	ON	OFF	Monostable Push button Opening	
6		ON	OFF	ON	OFF	Monostable / Reactivation / Push button	I-30 / I-31
7		OFF	ON	ON	OFF	Monostable / Cumulative / Push button	
8		ON	ON	ON	OFF	Delayed activation / Voltage	I-36 / I-37
9		OFF	OFF	OFF	ON	Delayed activation / Push button	I-36 / I-37
10		ON	OFF	OFF	ON	Delayed activation / Reactivation / Push button	
11		OFF	ON	OFF	ON	Delayed activation / Cumulative / Push button	
12		ON	ON	OFF	ON	Activation - Delay / Push button	I-38 / I-39
13		OFF	OFF	ON	ON	Activation - Delay / Reactivation / Push button	
14		ON	OFF	ON	ON	Activation - Delay / Cumulative / Push button	

1 - Monostable through push button (Equivalent to I-1, I-2 et I-3)

Closing the START button, the relay will be activated and it will maintain this activation till the end of the selected time.

2 - Monostable through voltage (Equivalent to I-1, I-2 et I-3)

Connecting the power supply, the relay will be activated and it will maintain this activation till the end of the selected time.

3 - Monostable through push button with pause

Closing the START button, the relay will be activated and it will maintain this activation till the end of the selected time. If during this timing the START button is closed and maintained pressed, the timing will be paused. Opening the START button, the timing will follow.

4 - Monostable through Reset push button

Closing the START button, the relay will be activated and it will maintain this activation till the end of the selected time. If during this timing the START button is closed the relay will be deactivated.

5 - Monostable through push button contacts opened

Closing the START button, the timer ignore it, opening the STRAT button the relay will be activated and it will maintain this activation till the end of the selected time.

6 - Monostable through push button with re-activation (equivalent I-30 and I-31)

Closing the START button, the relay will be activated and it will maintain this activation till the end of the selected time. If during this timing the START button is closed, the timing is reset and the time start again.

7 - Monostable Cumulative through push button

Closing the START button, the relay will be activated and it will maintain this activation till the end of the selected time. If during this timing the START button is closed, another time period is cumulated.

8 – Timing with activation delay through voltage (equivalent to I-36 and I-37)

Supplying the module the timing start without connecting the relay. At the end of the selected time the relay is connected and it will maintain this activation till the module is supplied.

9 – Timing with Delayed activation through push button (equivalent to I-36 and I-37)

Closing the START button, the timing is activated without connecting the relay. At the end of the time, the relay is connected and it will maintain this activation till the module is supplied.

10 – Timing with Delayed activation and reactivation through push button

Closing the START button, the timing is activated without connecting the relay. If during the timing the START button is activated, the timing is reset and the time start once again. At the end of the time, the relay is connected and it will maintain this activation till the module is supplied.

11 – Timing with Delayed activation and cumulative through push button

Closing the START button, the timing is activated without connecting the relay. If during the timing the START button is activated, another time period is cumulated. At the end of the time, the relay is connected and it will maintain this activation till the module is supplied.

12 – Activation delay through push button (Equivalent to I-38 and I-39)

Closing the START button, the relay is activated without timing. Opening the START button the timing is activated and it will maintain this activation till the end of the selected time.

13 – Activation delay and Reactivation through push button

Closing the START button, the relay is activated without timing. Opening the START button the timing is activated and it will maintain this activation till the end of the selected time. If during the timing the START button is closed, the timing is reset and the time start once again.

14 – Activation delay and Cumulative through push button

Closing the START button, the relay is activated without timing. Opening the START button the timing is activated and it will maintain this activation till the end of the selected time. If during the timing the START button is closed, another period is cumulated.

PUSH BUTTON for TIME INDICATION

"0,1"	=>	To add 0,1 sec to the programmed time
"1"	=>	To add 1 sec to the programmed time
"10"	=>	To add 10 sec to the programmed time
"100"	=>	To add 100 sec to the programmed time

TIMING PROGRAM

IMPORTANT. From our factory, the timer is supplied without any type of preregistered timing, neither operating time. You will have to program the timing before using it for the first time.

By not making any programming, the timer will function in mode type 2, time 3 seconds.

STEPS TO PROGRAM THE TIMER

Connect the power supply, the POWER Led will lighted on. Maintain pressed for 2 seconds the ON Key. At this moment the ON Led will permanently lighted on, to indicate the circuit is in programming mode.

Select through TEMPO TYPE Dips the required model.

Pressing as time as you wish the time buttons, with each pressure the PUL Led will light and cumulate the time of the selected push button. For instance, to Select 32 seconds, you have to press 3 times the "10" button and then 2 times the "1" button, the total will be 32.

Once indicated the required time, press ON push button till ON Led will intermittently light on 3 times to indicate the correct time recording. Then, the timer will be programmed and ready to operate.

Attention. If you have selected a model starting though voltage, as soon as you will connect the power supply, the module will be activated.

OPERATING MODE

With the timer already programmed, it is ready to operate. Connect the power supply.

To start the timing press START button-

To stop/reset timing at any time press the STOP button

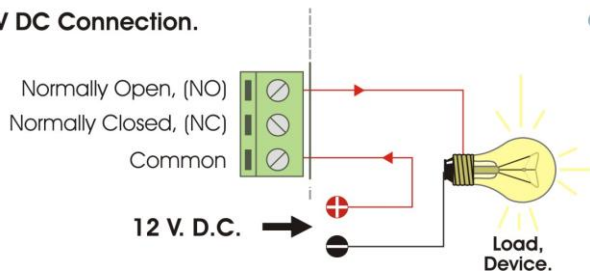
IMPORTANT. During the operating time programming Dips as time potentiometer will be ignored by the timer, for this reason you will not be able to reprogram a function till the operating time is finished.

TO REPROGRAM. Disconnect the power supply and do again the same step than the indicated one in the previous paragraph

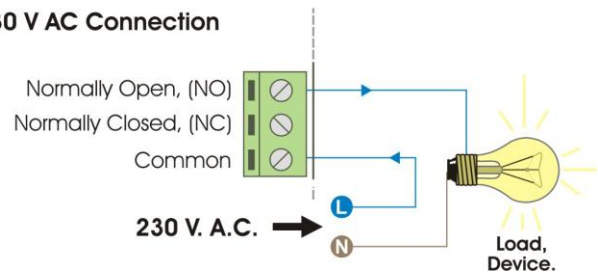
OUTPUT CONNECTION. LOAD.

The output is controlled by a relay, and accepts any device up to 3 A. The relay has three output terminals: The normally open quiescent (NO), the normally closed quiescent (NC) and the common. The operating mode is identical to a switch and the two terminals will be Common and NO. ON the following it is indicated a typical connexion for a 12V

● **12 V DC Connection.**

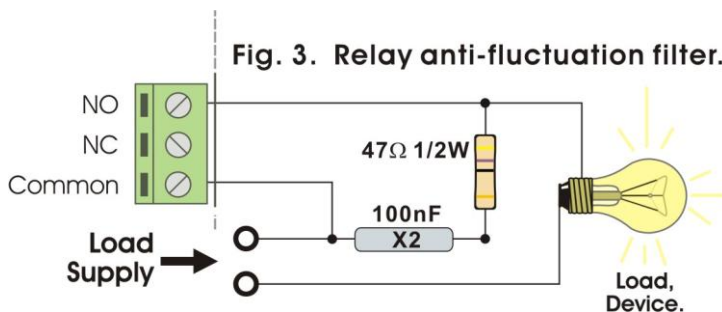


● **230 V AC Connection**



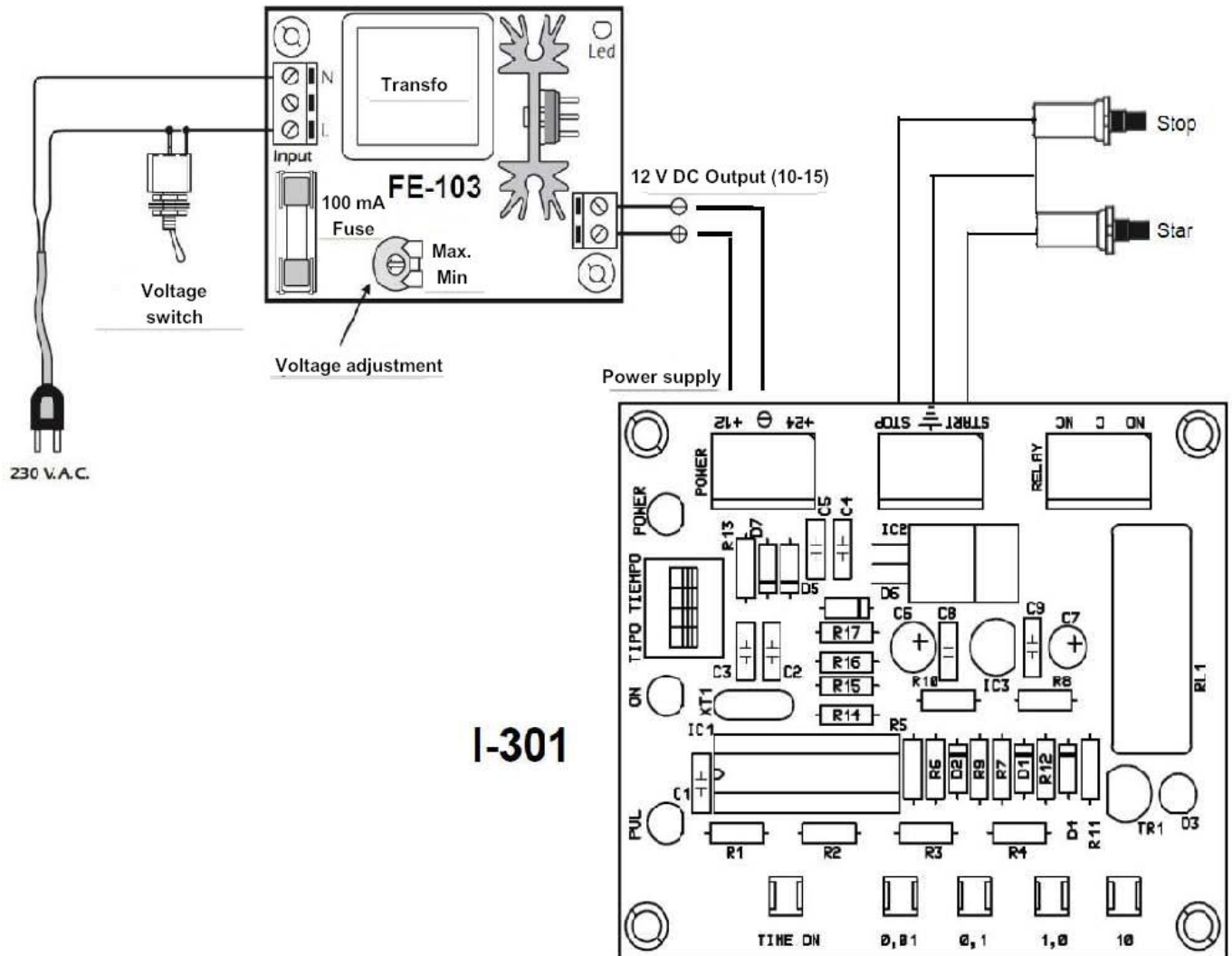
INFORMATION ABOUT THE OUTPUT.

During the operating mode and according to its load, it could happen a fluctuation or an incorrect working of the output. In such case, you have to install an anti-spark between both contacts of the used relay, as it is indicated on the following drawing.



Note: To connect load at 12V DC, you have to remove the resistor and to only use the capacitor.

HOW TO INSTALL THE MODULE



I-301

Warranty and Technical incidences.

All cebek modules have a total warranty of 3 years as concern components and labour man. All damage, error or mistake due to problems independent from the circuit, connection, installation or operating mode, as well as wrong handling are not included in this warranty. More over it will be necessary the purchase invoice of this module for any claim. This manual (documentation) can be reviewed or modified without any preavis, and it doesn't involve FADISEL. S.L. The use of any of the FADISEL modules' mentioned in this manual provoke the acceptance of these commercial terms and correspondent warranty. To contact our technical depart. Please contact: - sat@cebek.com or by fax (+34) 93.432.29.95 or by mail at the following address: FADISEL - c/Quetzal, 17-21 - 08014 Barcelona - SPAIN.

CEBEK offers a Wide and complete modules range which can be of your interest. Visit our web site: www.cebek.com

