

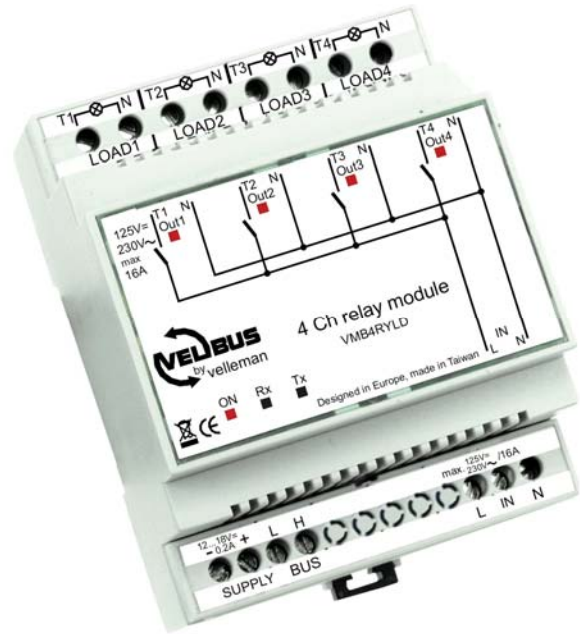


Programmable 4 channel relay module VMB4RYNO

Programmable 4 channel voltage-out relay module VMB4RYLD



VMB4RYNO, relay module with 4 normal open contacts



VMB4RYLD, relay module with 4 direct load outputs

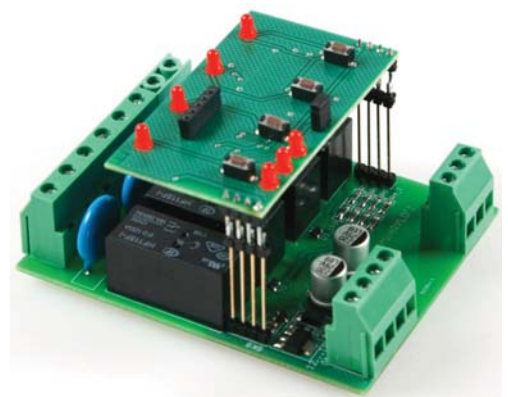
These Velbus<sup>®</sup> relay modules have the advantage of being completely configurable using the free Velbus-link software. Timers and functions can be set using the software.

The VMB4RYLD has the added advantage of easy wiring. Just input your voltage and the 4 outputs can be used instantly without extensive wiring

- VMB4RYNO: 4x normal open relay contacts of 16A each / resistive load
- VMB4RYLD: 4x 16A relay outputs with a maximum total input of 16A
- High inrush (80A) current relays are used
- Different operation modes : moment control, on/off control, start/stop timer, staircase lighting timer, non-restartable timer, switch-off delay, switch-on delay, start timer by releasing push button, timer with blinking effect, 2-way timer...
- Free programmable timer functions (using Velbus Link software and USB/RS232 interface (VMB1USB, VMB1RS or VMBSUSB)
- 250 possible id addresses
- Manual push buttons on board for testing purposes
- Velbus connection
- 4 Modules wide on the DIN rail
- Required power supply: 14V (12...18VDC allowed)
- Firmware upgradeable through the Velbus system
- Typical power consumption: 150mA max. (25mA standby).

#### Compared to VMB4RY:

- ◇ No push button inputs
- ◇ No manual programming and configuration is possible



Estimated end user price: € 129,0

Estimated availability: 08/2010



Shown: A combination of relay modules using VMBRAIL interconnection

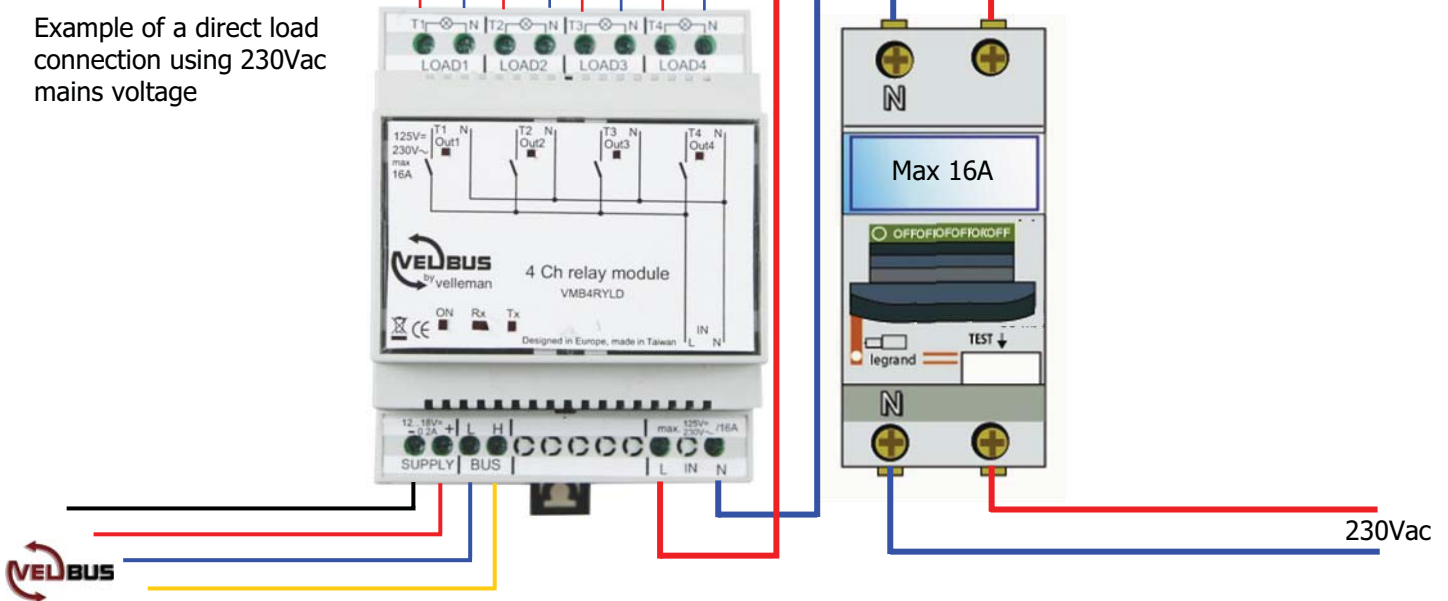




Any type of 230Vac light fixture

Total load max 16A

Example of a direct load connection using 230Vac mains voltage



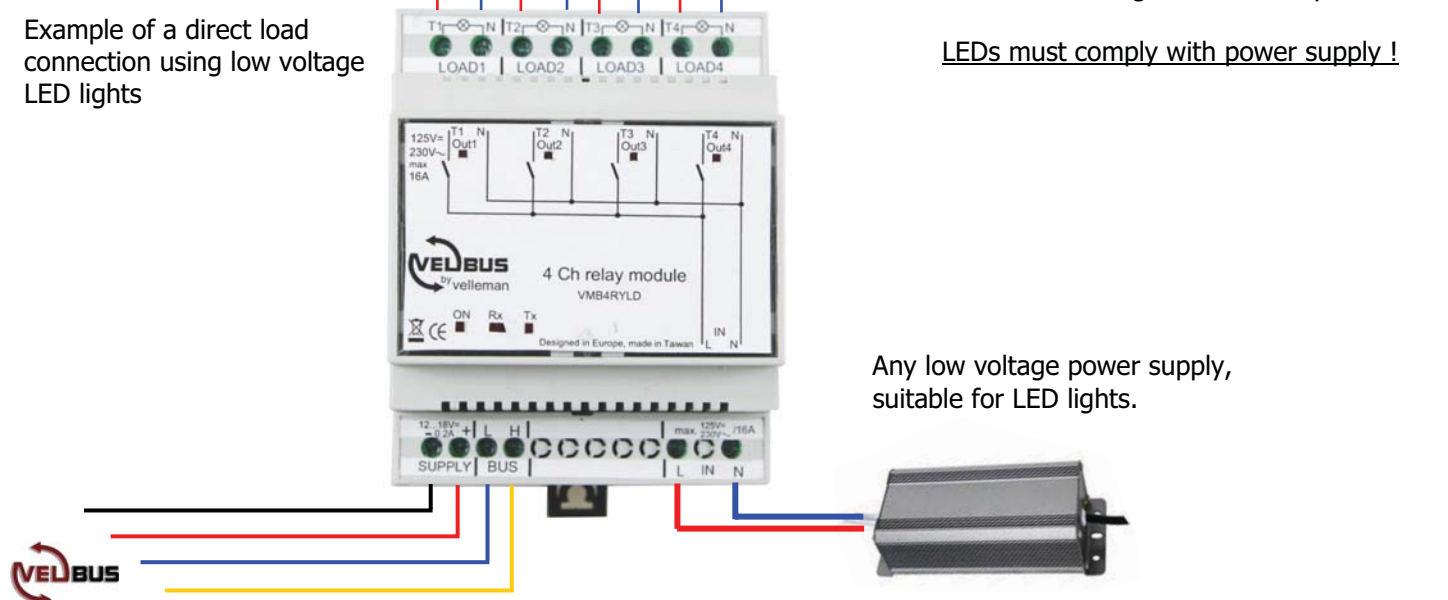
Any type of low voltage LED light

Total load max 16A

Example of a direct load connection using low voltage LED lights

12 or 24V LED lights or LED strip

LEDs must comply with power supply !



Any low voltage power supply, suitable for LED lights.