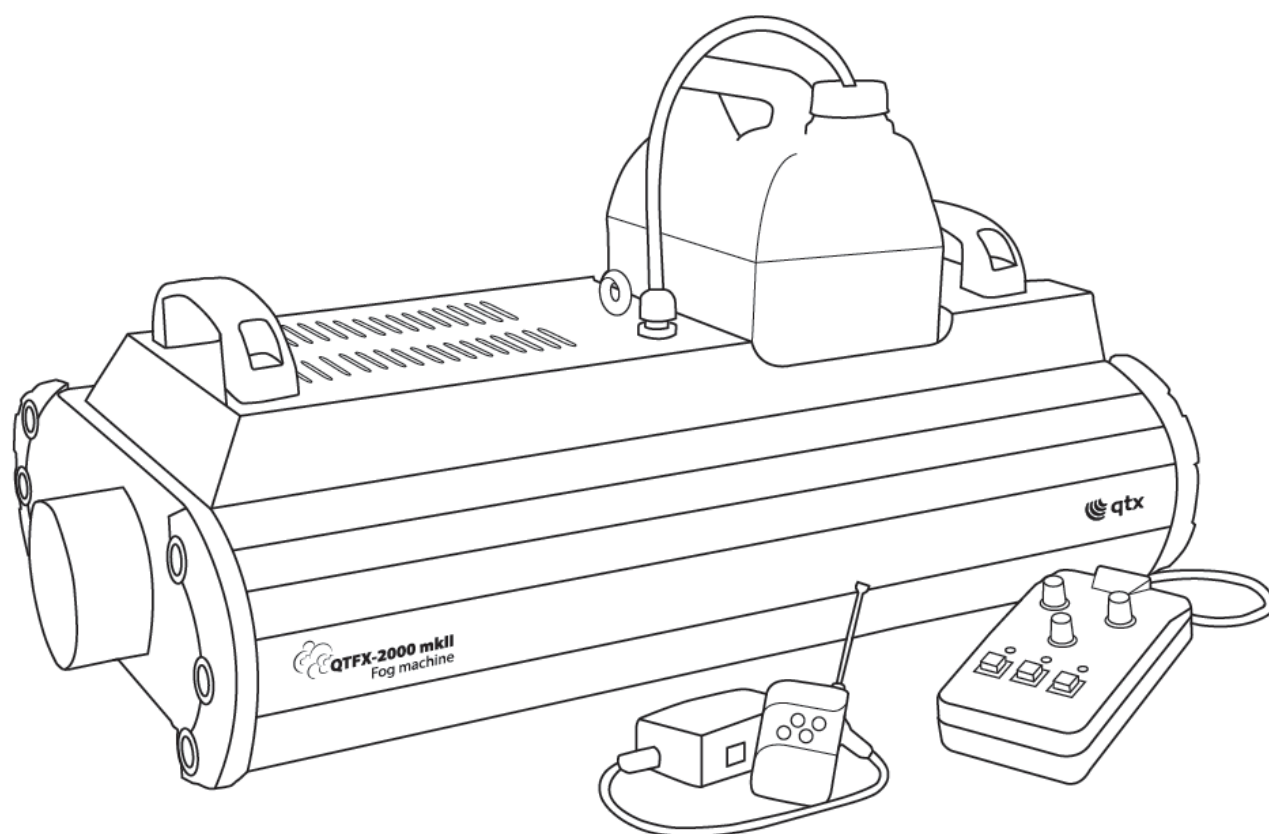


QTFX-2000 mkII

HIGH POWER FOG MACHINE

Item ref: 160.473UK

User Manual





Caution: Please read this manual carefully before operating
Damage caused by misuse is not covered by the warranty

Introduction

Thank you for choosing the QTFX-2000 mkII fog machine for stage and events special effects. This product is designed to produce high power fog effects for stage and theatre shows. Please read these instructions fully in order to gain the best results from this item and avoid damage to the unit through misuse.

Unpacking

Your QTFX-2000 mkII should reach you in good condition and should be supplied with IEC mains lead(s), wired remote timer control, wireless plug-in receiver and key fob remote.
If there are any signs of damage or items missing from the packaging, contact your dealer immediately.

Warning

To prevent risk of fire or electric shock, do not expose electrical parts to rain or moisture.
If liquids are spilled on areas other than inside the fluid tank, disconnect the mains, allow the QTFX-2000 mkII to dry out and have it checked by qualified service personnel before further use.
Avoid any impact, dropping or extreme pressure to the housing.
No user serviceable parts inside - do not open the case.
Allow the QTFX-2000 mkII to acclimatize to room temperature before operating.
Refer all servicing to qualified service personnel.

Safety Symbol and Message Conventions



CAUTION
RISK OF ELECTRIC SHOCK
DO NOT OPEN

AVIS
RISQUE DE CHOC ELECTRIQUE
NE PAS OUVRIR



This symbol indicates that dangerous voltage constituting a risk of electric shock is present within this unit



This symbol indicates that there are important operating and maintenance instructions in the literature accompanying this unit.

Safety

- Check for correct mains voltage and condition of the IEC lead before connecting to a power outlet
- Check the condition of the remote lead and ensure that it is not trapped
- This unit uses a heating element – be aware that parts of the housing may be hot whilst in use!



This unit must be earthed

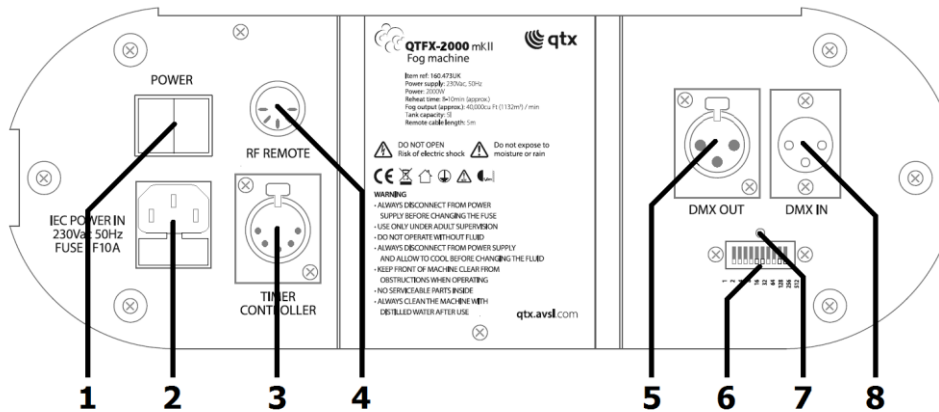
Cleaning

- Use a soft dry or slightly damp to clean the casing
- Do not use strong solvents for cleaning the unit
- Clean the fog mechanism periodically by operating with distilled water instead of fog fluid
- It is also recommended to use fog machine cleaning fluid (160.670UK) periodically

Placement

The QTFX-2000 mkII has a built-in fluid container and should be operated in an upright position. Ensure that the QTFX-2000 mkII is positioned on a stable, non-slip surface. Allow adequate space for access to the controls and to avoid straining cables and connections. When moving or carrying the QTFX-2000 mkII, use the top-mounted handles.

Rear Panel

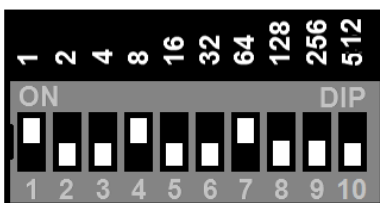


- | | |
|--|-------------------------------------|
| 1. Mains power on/off rocker switch | 5. DMX out connection (3-pin XLR) |
| 2. IEC mains inlet & fuse holder | 6. DMX channel setting DIP switches |
| 3. Remote timer control connection (5-pin XLR) | 7. DMX activity indicator |
| 4. Wireless remote receiver connection (5-pin DIN) | 8. DMX in connection (3-pin XLR) |

Setting up

The QTFX-2000 mkII requires fog fluid to create the effect. It is recommended to use one from the range of qtx fog fluids for best results. A chart for recommended fluids is included further along in this document.

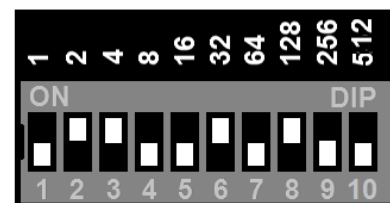
- Unscrew the top cap of the fog fluid tank and remove to fill with the selected fog fluid
- Replace the cap and close securely, ensuring the pipe is fed down to the bottom of the bottle so that a consistent flow of fluid is supplied to the machine
- Alternatively, a fresh 5l bottle of fluid can be inserted as a direct replacement
- Connect the remote timer control to the 5-pin XLR connector on the rear panel (3)
- Connect the supplied wireless remote receiver to the 5-pin DIN connector (4) on the rear panel
- Connect the IEC mains lead supplied to the rear mains inlet (2)
- If controlling via DMX, connect the incoming DMX control signal via the 3-pin XLR labelled DMX IN (8)
- Connect any further DMX equipment to the XLR labelled DMX OUT (5)
- Set the DMX start address using the rear panel DIP switches (6) in binary number format. Examples are shown below...



$$1 + 8 + 64 = 73$$




$$1 + 4 + 16 = 21$$



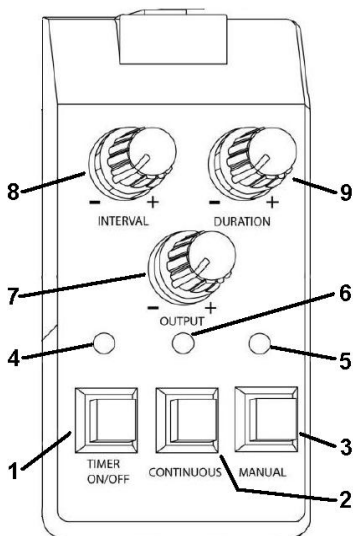
$$2 + 4 + 32 + 128 = 166$$

Setting up

- Make sure that none of the remote timer control buttons are pressed in at startup
- Aim the outlet nozzle toward the area where the effect is required but away from contact with people.
- Switch the mains power on (1)
- Heat up time for fog effect is usually between 8-10 minutes.
- During prolonged use, periodically check that the fluid level is not empty
- Switch off when not in use. Unplug from mains if not in use for long periods

 Warning: There will be hot surfaces on the housing even after the machine is switched off

Remote timer control



1. Timer button (latching) - activates the timer control
2. Continuous button (latching) – overrides timer control for constant fog
3. Manual button (non-latching) – overrides timer control for fog on demand
4. Timer indicator – illuminated when timer function is active
5. Ready indicator – illuminated when heated up ready to produce fog
6. Continuous indicator – illuminated when continuous function is active
7. Output control – adjusts the amount and density of fog effect
8. Interval control – adjusts the interval between fog output on timer control
9. Duration control – adjusts the time length of fog output on timer control

- When the machine is ready to operate, the ready light (5) on the remote timer control will illuminate.
- You may now press the Manual (3) button for fog on demand – releasing button stops the fog effect
- When the ready indicator is off, the QTFX-2000 mkII needs time to re-heat and will not produce fog
- For constant fog effect, use the latching Continuous (2) button and the Continuous LED (6) will light
- The density of fog effect can be varied by adjusting the rotary Output control (7)
- Pressing the Timer button (1) will activate the hands-free timer function and the timer LED (4) will light
- The Interval control (8) adjusts the time between fog effect output in each timer cycle
- The Duration control (9) adjusts the length of time that fog is produced in each timer cycle

Wireless remote control

- Fog can also be controlled manually by the wireless remote control
- The key fob remote is powered by a button cell, replace this with similar type if discharged
- Extend the antenna on the key fob, slide down the front cover
- Press one of the key fob buttons to produce fog

DMX operation

The QTFX-2000 mkII can be operated by a single channel of DMX512 control.

Set this address via the rear panel DIP switches as shown above

A value of 0 will give no fog output. A value between 1 and 255 will give full fog output.

When a DMX signal is detected, the DMX indicator (7) will flash when data is being received.

Specifications

Power supply	230Vac, 50Hz (IEC)
Fuse	F10A (5 x 20mm)
Heating element	2000W
Reheat time	8 to 10 mins (approx.)
Fog output (approx.)	40,000 Cu Ft (1133m ³)/ min
Tank capacity	5l
Remote control	Wireless remote, wired timer remote, DMX512
Remote cable length	5m
RF Remote frequency	433MHz
DMX connection	3-pin XLR in/out (1-channel)
DMX channels	Single channel – 0=No output, 1-255=full output
Dimensions	670 x 350 x 260mm
Weight	10kg

Troubleshooting



Warning: Hot components! ... Switch off and allow to cool before touching the unit.

No light on mains switch	Check mains voltage is correct and socket is switched on
	Check IEC lead is OK and connected properly
	Check mains fuse in IEC connector and fuse in plug top
	If fuse blowing repeatedly, refer to qualified service personnel
Ready light stays off	Check remote is connected properly
	If light is permanently off, refer to qualified service personnel
Ready light is on but no fog output on manual or continuous	Check fog fluid level
	If fluid is OK and pump working, the lines may be blocked
	Check that nozzle is not blocked or obstructed
	If blocked, clean with fog machine cleaner & distilled water
No fog output on timer function	Ensure timer button is pressed in and timer LED is lit
	Check interval, duration and output control settings – test manually if necessary
No response to DMX	Check that XLR leads are connected properly
	Check that DMX signal is OK by testing on other equipment
	Check that the DIP switch settings are set to the correct address
	Ensure that the other remote controls are not overriding DMX



Disposal: The "Crossed Wheelie Bin" symbol on the product means that the product is classed as Electrical or Electronic Equipment and should not be disposed with other household or commercial waste at the end of its useful life. The goods must be disposed of according to your local council guidelines

*Errors and omissions excepted.
Copyright© 2014. AVSL Group Ltd.*

Effects Fluid Chart

Bubble Fluid							
Stock Code	Volume	Description	Results			For use with	
160.574UK	1 Litre	Bubble fluid	Light, long-lasting bubbles			160.462UK, 160.560UK 160.562UK, 160.563UK 160.564UK	
160.575UK	5 Litre						
160.576UK	1 Litre	UV bubble fluid	Light bubbles which glow in UV light				
160.577UK	5 Litre						
Snow Fluid							
Stock Code	Volume	Description	Results			For use with	
160.578UK	1 Litre	Snow fluid	High quality snow fluid. Lasts 30% longer than other standard fluids			160.565UK, 160.569UK	
160.579UK	5 Litre						
Fog Fluid							
Stock Code	Volume	Description	Colour	Results			For use with
160.643UK	1 Litre	Standard fog fluid	Yellow	Dispersion	Density	Stability	160.452UK, 160.453UK, 160.461UK or any machine up to 900W
160.582UK	5 Litre			Quick	Light	Low	
160.587UK	1 Litre	High grade fog fluid	Orange	Slow	Medium	Good	160.455UK, 160.456UK, 160.457UK or any machine 1000-1500W
160.588UK	5 Litre			Slow	High	Good	
160.644UK	1 Litre	High quality fog fluid	Pink	Slow	High	Good	160.455UK, 160.456UK, 160.457UK or any machine 1000-1500W
160.583UK	5 Litre			Slow	Very high	Excellent	
160.589UK	5 Litre	Premium fog fluid	Clear	Slow	Highest	Excellent	160.447UK
160.592UK	1 Litre			Slow	Extends life of your fog machine	Opaque White	
160.593UK	5 Litre	Low level fog fluid	Clear	Slow	Extends life of your fog machine	Opaque White	
160.670UK	20ml	Fog machine cleaner	Clear	Extends life of your fog machine			All fog machines
Haze							
Stock Code	Volume	Description	Colour	Results			For use with
160.590UK	1 Litre	High quality haze fluid	Clear	Dispersion	Density	Stability	160.458UK, 160.459UK 160.462UK, 160.465UK
160.591UK	5 Litre			Slow	High	Good	