

# LEDJ

## **Intense 9P10**

### **RGBWA LED Slim Par**

#### **9 x 10W five-colour LEDs (RGBWA)**

#### **User Manual**



Convection  
cooled,  
no fan!

**Order code:**  
**LEDJ254 (Black Housing)**  
**LEDJ254Z (White Housing)**

### WARNING

## FOR YOUR OWN SAFETY, PLEASE READ THIS USER MANUAL CAREFULLY BEFORE YOUR INITIAL START-UP!

- Before your initial start-up, please make sure that there is no damage caused during transportation.
- Should there be any damage, consult your dealer and do not use the equipment.
- To maintain the equipment in good working condition and to ensure safe operation, it is necessary for the user to follow the safety instructions and warning notes written in this manual.
- Please note that damages caused by user modifications to this equipment are not subject to warranty.



### IMPORTANT:

The manufacturer will not accept liability for any resulting damages caused by the non-observance of this manual or any unauthorised modification to the equipment.

- Never let the power cable come into contact with other cables. Handle the power cable and all mains voltage connections with particular caution!
- Never remove warning or informative labels from the unit.
- Do not open the equipment and do not modify the unit.
- Do not connect this equipment to a dimmer pack.
- Do not switch the equipment on and off in short intervals, as this will reduce the system's life.
- Only use the equipment indoors.
- Do not expose to flammable sources, liquids or gases.
- Always disconnect the power from the mains when equipment is not in use or before cleaning! Only handle the power-cable by the plug. Never pull out the plug by pulling the power-cable.
- Make sure that the available mains supply voltage is between 100~240V AC, 50/60Hz.
- Make sure that the power cable is never crimped or damaged. Check the equipment and the power cable periodically.
- If the equipment is dropped or damaged, disconnect the mains power supply immediately and have a qualified engineer inspect the equipment before operating again.
- If the equipment has been exposed to drastic temperature fluctuation (e.g. after transportation), do not connect power or switch it on immediately. The arising condensation might damage the equipment. Leave the equipment switched off until it has reached room temperature.
- If your product fails to function correctly, stop use immediately. Pack the unit securely (preferably in the original packing material), and return it to your Pro Light dealer for service.
- Only use fuses of same type and rating.
- Repairs, servicing and power connection must only be carried out by a qualified technician. THIS UNIT CONTAINS NO USER SERVICEABLE PARTS.
- This lighting fixture is for professional use only - it is not designed for or suitable for household use. The product must be installed by a qualified technician in accordance with local territory regulations. The safety of the installation is the responsibility of the installer. The fixture presents risks of severe injury or death due to fire hazards, electric shock and falls.
- Warning! Risk Group 2 LED product according to EN 62471. Do not view the light output with optical instruments or any device that may concentrate the beam.
- WARRANTY: One year from date of purchase.

### OPERATING DETERMINATIONS

If this equipment is operated in any other way, than those described in this manual, the product may suffer damage and the warranty becomes void. Incorrect operation may lead to danger e.g: short-circuit, burns and electric shocks etc.

Do not endanger your own safety and the safety of others!

Incorrect installation or use can cause serious damage to people and/or property.

### LEDJ Intense 9P10 RGBWA LED Slim Par

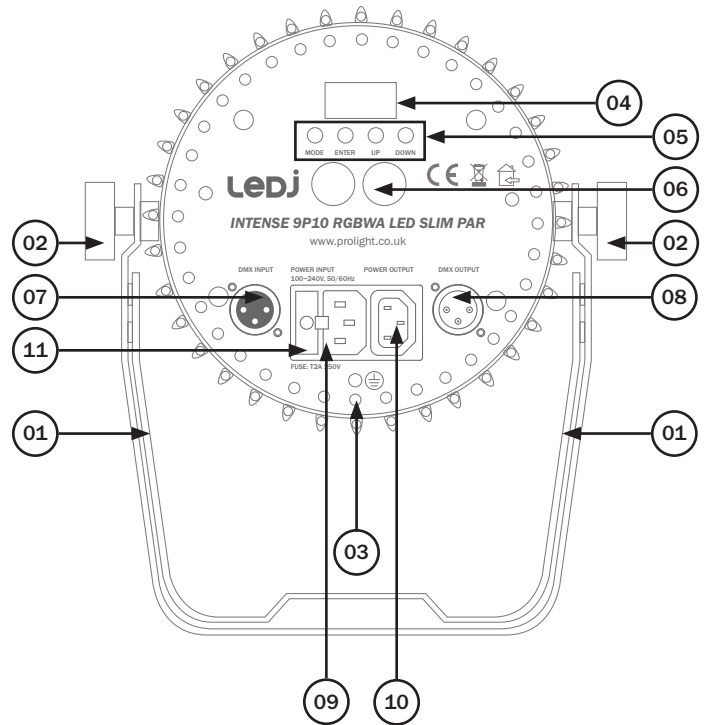
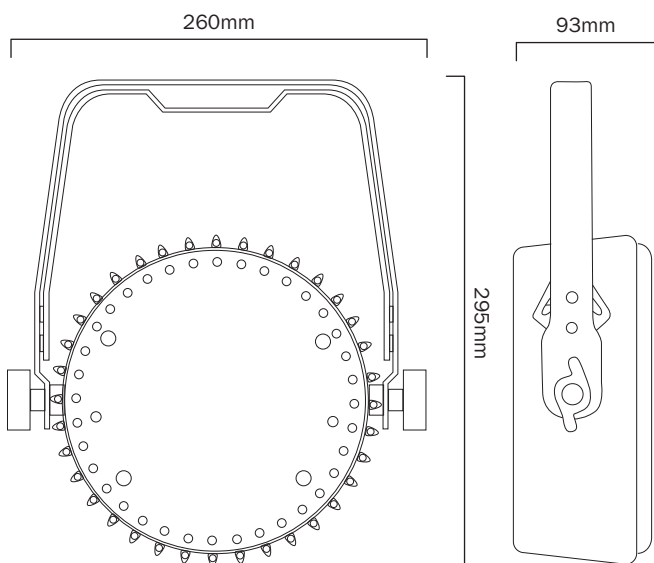
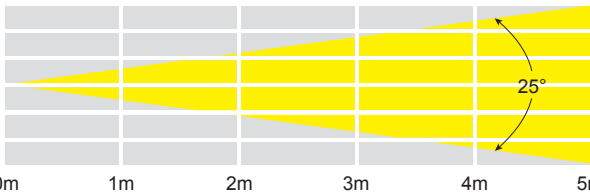
Featuring five-colour LEDs the Intense 9P10 advances from standard RGB colour mixing with white for pastel shades and amber for rich, warm tones. This super bright, robust, slimline par is suitable for a wide range of applications from uplighting a large venue to lighting a stage for live performances. The convection cooled chassis ensures silent running and features mounting points for the optional barn door/gel frame kit (LEDJ253A - Black/LEDJ253AZ - White).

- 9 x 10W five-colour LEDs (RGBWA)
- Beam angle: 25° (field angle: 35°)
- 1948 Lux @ 2m (full on)
- 3kHz refresh rate
- DMX channels: 5/7 or 9 selectable
- Static colour, colour change, colour fade, auto, sound active and master/slave modes
- 0-100 dimming and variable strobe
- Bracket allows for multiple rigging or floor standing applications
- 4 push button menu with LED display
- IEC power input/output
- 3-Pin XLR input/output
- Convection cooled
- Optional Barn Door/Gel Frame (LEDJ253A - Black/LEDJ253AZ - White)

Specifications	Intense 9P10
Power consumption	110W
Power supply	100~240V, 50/60Hz
Fuse	T2A 250V
Dimensions	295 x 260 x 93mm
Weight	2.6kg
Order code	LEDJ254 (Black Housing) LEDJ254Z (White Housing)



25° - Lux 6730 1948 885 502 343



- 01 - Bracket
- 02 - Bracket tightening knobs
- 03 - Earth point
- 04 - LED display
- 05 - Function buttons
- 06 - Safety bond point
- 07 - DMX input socket
- 08 - DMX output socket
- 09 - IEC power input socket
- 10 - IEC power output socket
- 11 - Fuse T2A 250V

In the box: **1 x fixture,**  
**1 x power cable &**  
**1 x user manual**

### DMX channel mode:

Operating in a DMX control mode environment gives the user the greatest flexibility when it comes to customising or creating a show. In this mode you will be able to control each individual trait of the fixture and each fixture independently.

To access the DMX channel mode, press the “**MODE**” button on the rear of the unit to show *d00 i* on the LED display. Now use the “**UP**” and “**DOWN**” buttons to set the desired DMX address. Now press the “**ENTER**” button to choose one of the 5, 7 or 9 DMX channel modes, press the “**ENTER**” button to confirm the setting.

To exit out of any of the above options, press the “**MODE**” button.

### 5 channel mode:

Channel	Value	Function
1	000-255	Red (0-100%)
2	000-255	Green (0-100%)
3	000-255	Blue (0-100%)
4	000-255	White (0-100%)
5	000-255	Amber (0-100%)

### 7 channel mode:

Channel	Value	Function
1	000-255	Red (0-100%)
2	000-255	Green (0-100%)
3	000-255	Blue (0-100%)
4	000-255	White (0-100%)
5	000-255	Amber (0-100%)
6	000-255	Master dimmer (0-100%)
7	000-255	Strobe (slow-fast)

### 9 channel mode:

Channel	Value	Function
1	000-255	Red (0-100%)
2	000-255	Green (0-100%)
3	000-255	Blue (0-100%)
4	000-255	White (0-100%)
5	000-255	Amber (0-100%)
6	000-255	Master dimmer (0-100%)
7	000	No function
	001-022	Program 1 (Use CH8 for static colours)
	023-045	Program 2 (Use CH8 for speed)
	046-068	Program 3 (Use CH8 for speed)
	069-091	Program 4 (Use CH8 for speed)
	092-114	Program 5 (Use CH8 for speed)
	115-137	Program 6 (Use CH8 for speed)
	138-160	Program 7 (Use CH8 for speed)
	161-183	Program 8 (Use CH8 for speed)
	184-206	Program 9 (Use CH8 for speed)
	207-229	Program 10 (Use CH8 for speed)
	230-252	Program 11 (Use CH8 for speed)
	253-255	Sound active (Use CH8 for sensitivity)
8	000-012	White (RGB)
	013-025	Red
	026-038	Green
	039-051	Blue
	052-064	White (W)
	065-077	Amber
	078-090	Spring Yellow
	091-103	Yellow
	104-116	Purple
	117-129	Pink
	130-142	Cyan
	143-155	Light pink
	156-168	Light green
	169-181	Light blue
	182-194	Orange
	195-207	Lime
	208-220	Violet
	221-233	Warm White (WA)
234-255	White (RGBWA)	
9	000-255	Strobe (slow-fast)

### Built-in program mode:

To access the built-in program mode press “**MODE**” until the display shows *Pr.01* on the LED display. Use the “**UP**” and “**DOWN**” buttons to select a program from *Pr.01 ~ Pr.11*. Press the “**ENTER**” button to confirm the setting.

To change the speed of the selected program press the “**ENTER**” button and then use the “**UP**” and “**DOWN**” buttons to select any value from *SP00 ~ SP99*. Press the “**ENTER**” button to confirm the setting, then use the “**UP**” and “**DOWN**” buttons to select and value from *F500 ~ F599* for the strobe feature. Press the “**ENTER**” button to confirm the setting.

In *Pr.01* you are able to set a specific static colour. When in *Pr.01* press the “**ENTER**” button and then use the “**UP**” and “**DOWN**” buttons to go through the static colours. Press the “**ENTER**” button to confirm the setting, then use the “**UP**” and “**DOWN**” buttons to select and value from *F500 ~ F599* for the strobe feature. Press the “**ENTER**” button to confirm the setting.

To exit out of any of the above options, press the “**MODE**” button.

### Programs:

<i>Pr.01</i>	Static colours
<i>Pr.02</i>	5 colour fade in/out
<i>Pr.03</i>	Multicolour fade in/out
<i>Pr.04</i>	Multicolour fade
<i>Pr.05</i>	5 colour change
<i>Pr.06</i>	Multicolour change
<i>Pr.07</i>	Red fade in/out
<i>Pr.08</i>	Green fade in/out
<i>Pr.09</i>	Blue fade in/out
<i>Pr.10</i>	White fade in/out
<i>Pr.11</i>	Amber fade in/out

### Static colours:

<i>-0FF</i> - Blackout	<i>10-rb</i> - Pink
<i>1r9b</i> - White (RGB)	<i>119b</i> - Cyan
<i>2--r</i> - Red	<i>12ru</i> - Light Pink
<i>3--g</i> - Green	<i>139u</i> - Light Green
<i>4--b</i> - Blue	<i>14bu</i> - Light Blue
<i>5--u</i> - White	<i>15rR</i> - Orange
<i>6--R</i> - Amber	<i>169R</i> - Lime
<i>7-r9</i> - Spring Yellow	<i>17bR</i> - Violet
<i>8-r9</i> - Yellow	<i>18uR</i> - Warm white (WA)
<i>9-rb</i> - Purple	<i>19on</i> - White (RGBWA)

### Static colour mode:

To access the static colour mode press “**ENTER**” until *[0]r* shows on the LED display. Press the “**ENTER**” button and the LED display will show *r.225*. Now use the “**UP**” and “**DOWN**” buttons to select the brightness between *r.000 ~ r.255*. Press the “**ENTER**” button and repeat for green, blue, white, and amber.

**Value: 000 - 255 (000 = low, 255 = high)**

To exit out of any of the above options, press the “**MODE**” button.



### Master/slave mode:

To set the master unit, press the “**MODE**” button on the rear of the master unit then select your desired program (sound active, auto, static colour or one of the built-in programs).

To set the other units in slave mode, press the “**MODE**” button on the rear of the unit to show *SLAU* on the LED display and press the “**ENTER**” button to confirm the setting. The units will now run in sequence with the master unit.

To exit out of any of the above options, press the “**MODE**” button.

Please ensure that all slave units are set to the same DMX channel mode as the master unit.

### Sound active mode:

To access the sound active mode, press the “**MODE**” button on the rear of the unit to show *SU00* on the LED display. Now press the “**ENTER**” button and use the “**UP**” and “**DOWN**” buttons to set the sound sensitivity level from *SU00 ~ SU31* and press the “**ENTER**” button to confirm the setting.

**Value: 00 - 31 (00 = low, 99 = high)**

To exit out of any of the above options, press the “**MODE**” button.

### Auto mode:

To access the auto mode press “**ENTER**” until the display shows *Auto* on the LED display.

The fixture will now run through its built in programs. NOTE: The user can set up the speed and flash speed for *Pr.02 ~ Pr.11* under the built in programs mode. Changing this here will then take effect when running auto mode. To exit out of any of the above options, press the “**MODE**” button.

### NOTE:

This fixture has a thermal protection function. The fixture will automatically enter into a self-protection state and the LED display will flash “- r t -” if the thermal protection is activated. Switch off the fixture and leave to cool down. Should the problem reoccur please contact your local dealer for service and support.

### Menu system

Built-in program	Pr.01 Static colour Pr.02 5 colour fade in/out Pr.03 Multicolour fade in/out Pr.04 Multicolour fade Pr.05 5 colour change Pr.06 Multicolour change Pr.07 Red fade in/out Pr.08 Green fade in/out Pr.09 Blue fade in/out Pr.10 White fade in/out Pr.11 Amber fade in/out SP00~SP99 (speed) FS00~FS99 (flash)
Static colour mode	r.000~r.255 R g.000~g.255 G b.000~b.255 B w.000~w.255 W R.000~R.255 A
Auto mode	AU70
Slave mode	SLAU
Sound active mode	SU00~SU31
DMX mode	5CH, 7CH, 9CH
Address setting	ADD 1~A5 12

### Setting the DMX address:

The DMX mode enables the use of a universal DMX controller. Each fixture requires a “start address” from 1- 512. A fixture requiring one or more channels for control begins to read the data on the channel indicated by the start address. For example, a fixture that occupies or uses 7 channels of DMX and was addressed to start on DMX channel 100, would read data from channels: 100,101,102,103,104,105 and 106. Choose a start address so that the channels used do not overlap. E.g. the next unit in the chain starts at 107.

### DMX 512:

DMX (Digital Multiplex) is a universal protocol used as a form of communication between intelligent fixtures and controllers. A DMX controller sends DMX data instructions from the controller to the fixture. DMX data is sent as serial data that travels from fixture to fixture via the DATA “IN” and DATA “OUT” XLR terminals located on all DMX fixtures (most controllers only have a data “out” terminal).

### DMX linking:

DMX is a language allowing all makes and models of different manufactures to be linked together and operate from a single controller, as long as all fixtures and the controller are DMX compliant. To ensure proper DMX data transmission, when using several DMX fixtures try to use the shortest cable path possible. The order in which fixtures are connected in a DMX line does not influence the DMX addressing. For example; a fixture assigned to a DMX address of 1 may be placed anywhere in a DMX line, at the beginning, at the end, or anywhere in the middle. When a fixture is assigned a DMX address of 1, the DMX controller knows to send DATA assigned to address 1 to that unit, no matter where it is located in the DMX chain.

### DATA cable (DMX cable) requirements (for DMX operation):

This fixture can be controlled via DMX-512 protocol. The DMX address is set on the back of the unit. Your unit and your DMX controller require a standard 3-pin XLR connector for data input/output, see image below.



Further DMX cables can be purchased from all good sound and lighting suppliers or Pro Light Concepts dealers.

Please quote:

**CABL10 – 2m**

**CABL11 – 5m**

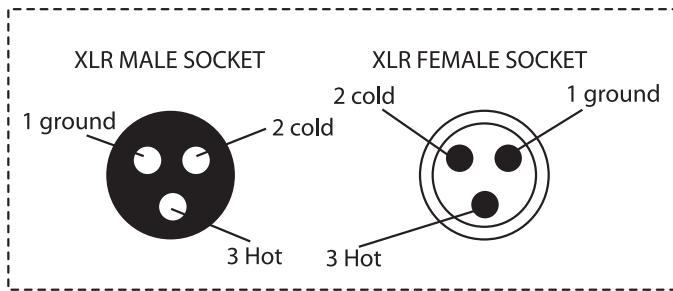
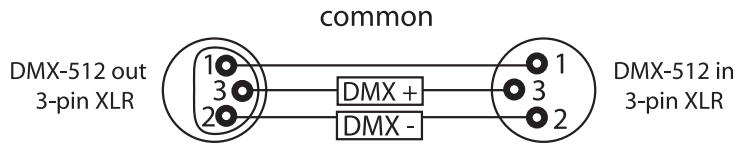
**CABL12 – 10m**

Also remember that DMX cable must be daisy chained and cannot be split.



**Notice:**

Be sure to follow the diagrams below when making your own cables. Do not connect the cables shield conductor to the ground lug or allow the shield conductor to come in contact with the XLRs outer casing. Grounding the shield could cause a short circuit and erratic behaviour.



XLR Pin Configuration
Pin 1 = Ground
Pin 2 = Negative
Pin 3 = Postive

**Special note:**

**Line termination:**

When longer runs of cable are used, you may need to use a terminator on the last unit to avoid erratic behaviour.

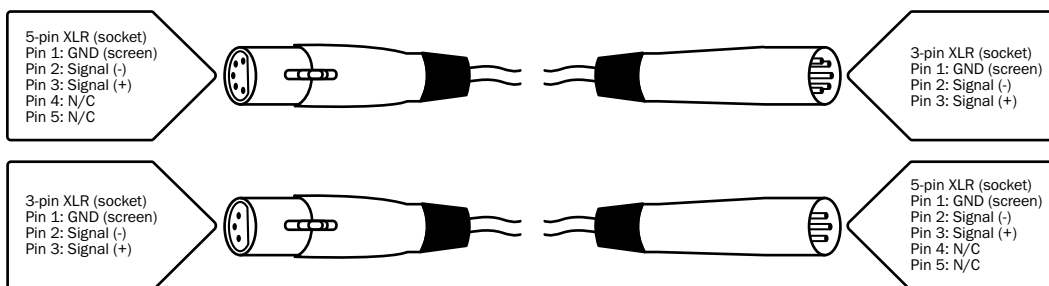
**Using a cable terminator will decrease the possibilities of erratic behaviour.**

**(3-pin - Order ref: CABL90, 5-pin - Order ref: CABL89)**

Termination reduces signal transmission problems and interference. It is always advisable to connect a DMX terminal, (resistance 120 Ohm 1/4 W) between pin 2 (DMX-) and pin 3 (DMX+) of the last fixture.

**5-pin XLR DMX connectors:**

Some manufactures use 5-pin XLR connectors for data transmission in place of 3-pin. 5-pin XLR fixtures may be implemented in a 3-pin XLR DMX line. When inserting standard 5-pin XLR connectors in to a 3-pin line a cable adaptor must be used. The diagram below details the correct cable conversion.





***Correct Disposal of this Product  
(Waste Electrical & Electronic Equipment)***

**(Applicable in the European Union and other European countries  
with separate collection systems)**

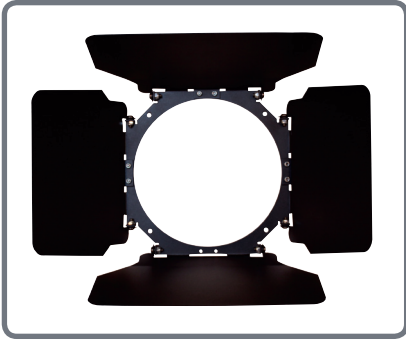
This marking shown on the product or its literature, indicates that it should not be disposed of with other household wastes at the end of its working life. To prevent possible harm to the environment or human health from uncontrolled waste disposal, please separate this from other types of wastes and recycle it responsibly to promote the sustainable reuse of material resources.

Household users should contact either the retailer where they purchased this product, or their local government office, for details of where and how they can take this item for environmentally safe recycling.

Business users should contact their supplier and check the terms and conditions of the purchase contract. This product should not be mixed with other commercial wastes for disposal.



Please contact your local retailer to purchase these accessories.



Optional barn door/gel frame  
Order code: LEDJ253A

To keep up-to-date on the latest accessories and product range additions please visit [www.prolight.co.uk](http://www.prolight.co.uk)

**LEDj**