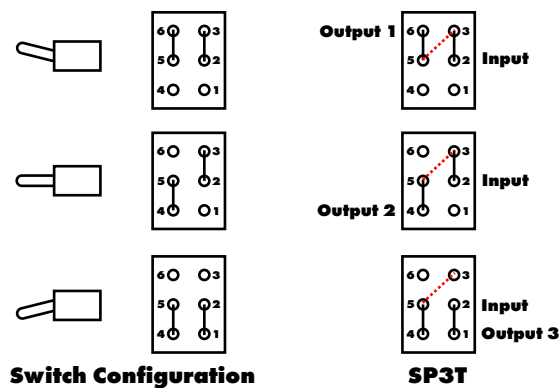


Order Code: [218-225](#)

Description: DPDT On-On-On Miniature Toggle Switch

High quality miniature toggle switch, featuring 3 positions with an ON connection in all 3. Typical used for guitar pick up selection. Can also be used in a SP3T configuration by adding a link between pins 3 and 5 (see below, right).

Supplied with two fixing nuts and locking washer, chrome toggle.



## Specifications

- switching position:
  - 2-3, 5-6: ON
  - 2-3, 5-4: ON
  - 2-1, 5-4: ON

## Ratings

- contact rating: 5A with resistive load of 120Vac or 28Vdc
- electrical life: 50000 make-and-break cycles at full load
- contact resistance: initially max. 10mohm at 2-4Vdc / 10mA for both coin silver and gold-plated contacts
- insulation resistance: min. 1000Mohm
- dielectric strength: 1000Vrms at sea level
- operating temperature: -30°C to +85°C

## Materials:

- case: melamine or diallyl phthalate (DAP)
- toggle handle: brass, chrome-plated
- bushing: brass, nickel-plated
- housing: stainless steel
- end contact: coin silver, silver-plated
- end terminal: brass, silver-plated
- centre contact and terminal: brass, silver-plated