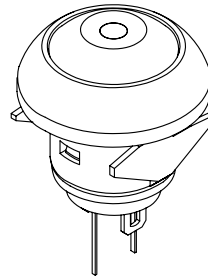
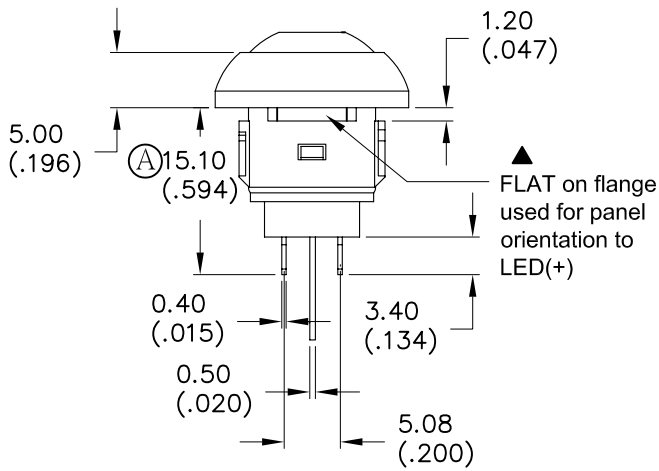
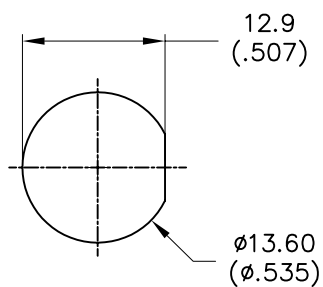
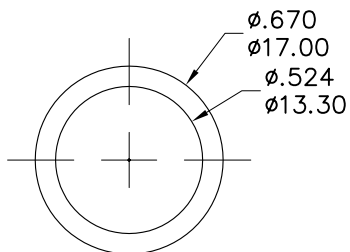
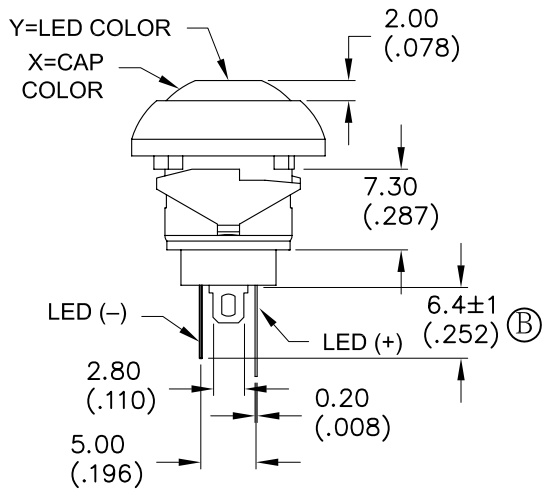
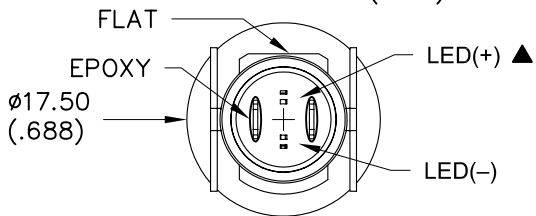


# R1396\*



▲ FLAT on flange used for panel orientation to LED(+)



Panel cut-out